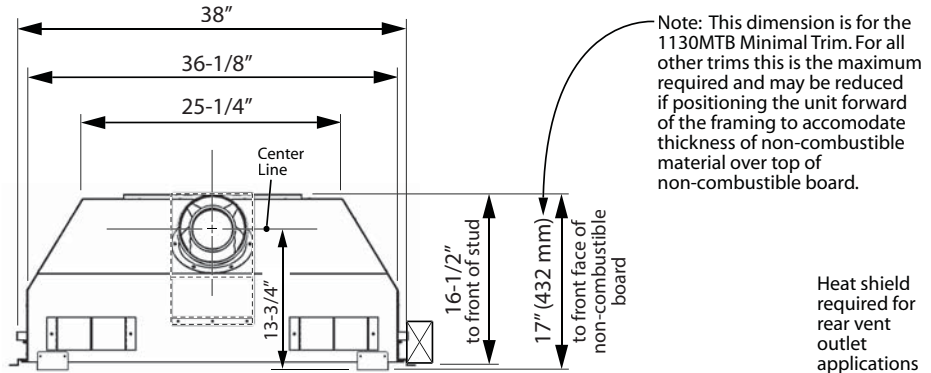
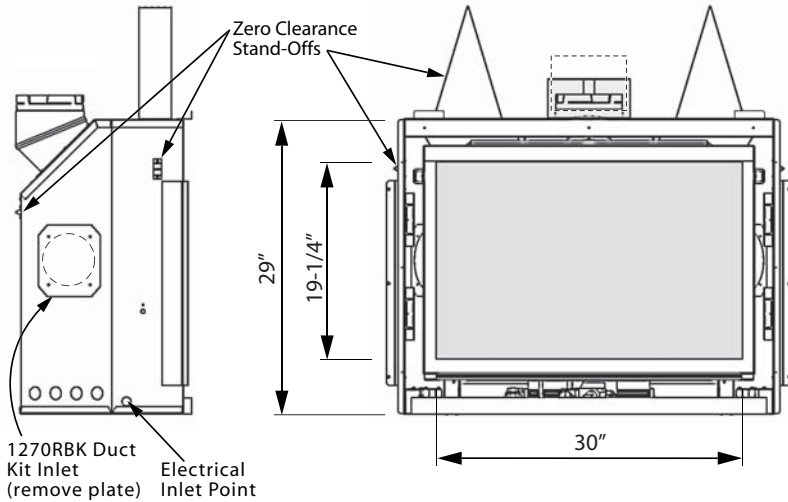


## Dimensions

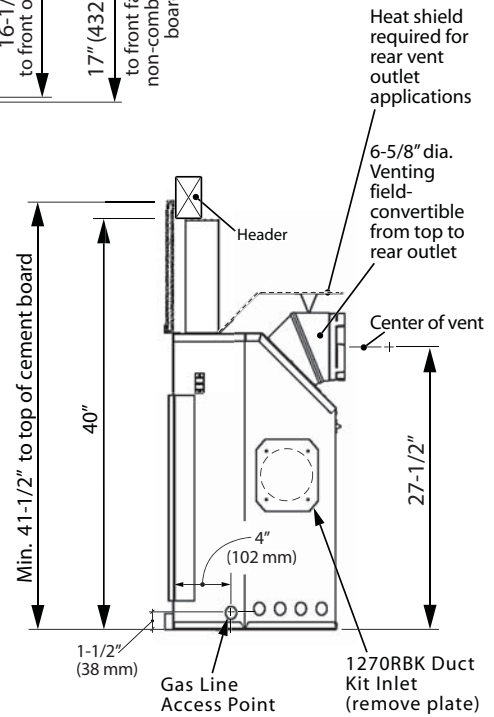


**Top View**

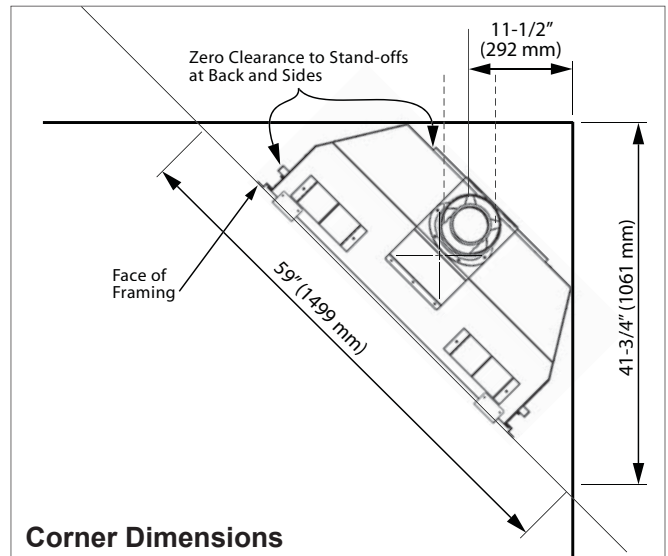


**Left Side View**

**Front View**



**Right Side View**



**Corner Dimensions**